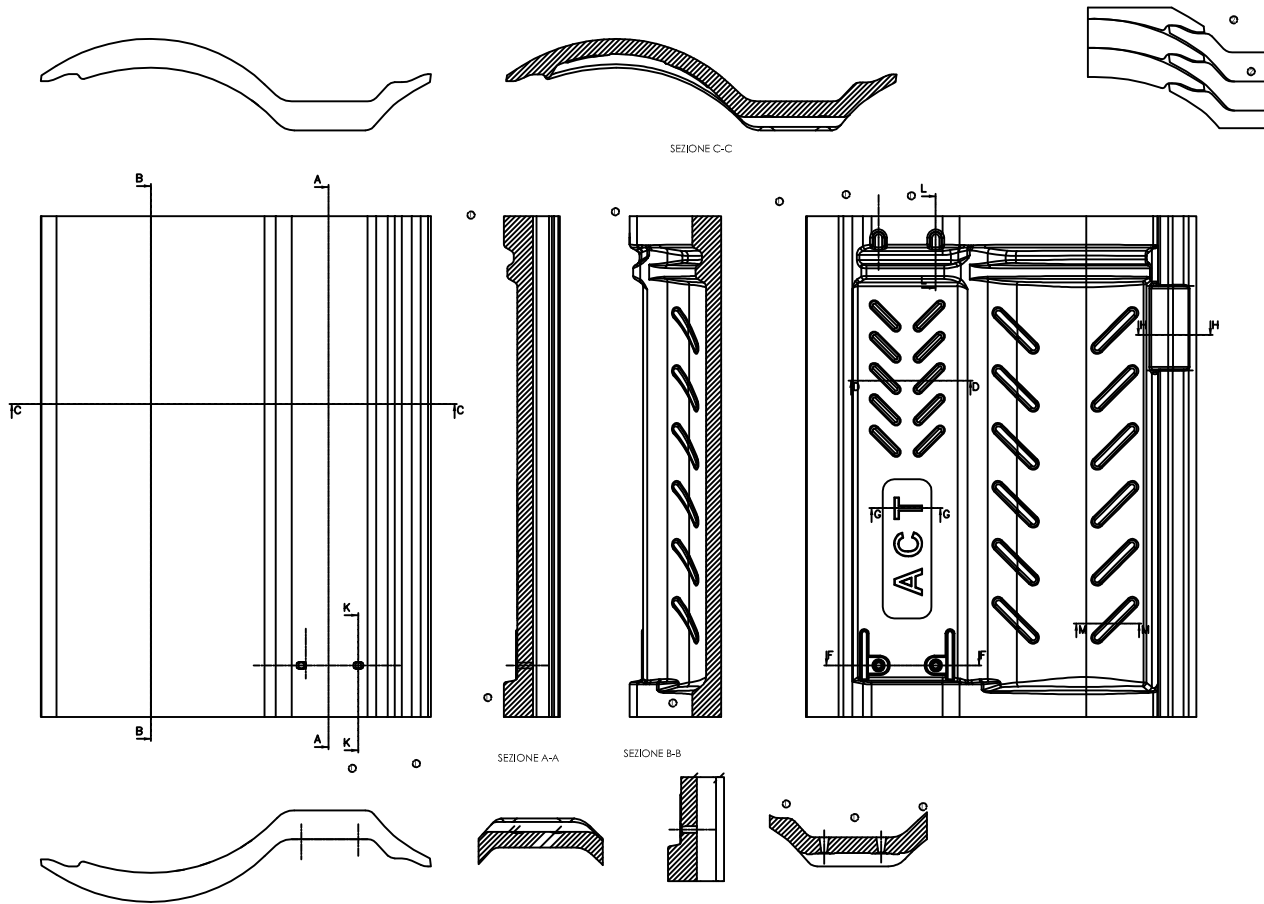


SERIES SANIBEL – CONCRETE ROOF TILE FBC PRODUCT APPROVAL DRAWINGS



NOTES:

1. THE PRODUCT ILLUSTRATED SATISFIES THE REQUIREMENTS FOR THE 2023 FLORIDA BUILDING CODE NOT INCLUDING HVHZ.
2. FOR NON-HVHZ, INSTALLATION SHALL COMPLY WITH THE MANUFACTURER'S CURRENT PUBLISHED INSTALLATION INSTRUCTIONS, BUT NOT LESS THAN THE REQUIREMENTS AS ESTABLISHED IN FBC SECTION 1507.3 AND THE FRSA/TRI 7TH EDITION FOR MECHANICALLY FASTENED INSTALLATIONS.
3. FOR NON-HVHZ, INSTALLATION SHALL COMPLY WITH THE MANUFACTURER'S CURRENT PUBLISHED INSTALLATION INSTRUCTIONS, BUT NOT LESS THAN THE REQUIREMENTS AS ESTABLISHED IN FBC SECTION 1609.6.3 AND THE MORTAR OR ADHESIVE MANUFACTURER'S PRODUCT APPROVAL FOR MORTAR AND ADHESIVE INSTALLATIONS.

REVISIONS		MATERIAL		CROWN BUILDING PRODUCTS of FL, LLC 6018 SW HIGHWAY 72 ARCADIA, FL 34266		SCALE
		EST. AREA				NTS
		EST. WT.				DWG NO. 102107D
2	2ND REVISION 10/11/23	EST. PERIM.		SERIES SANIBEL – CONCRETE ROOF TILE FBC INSTALLATION DRAWINGS GENERAL NOTES		SHEET NO. 1 OF 1
1	1ST REVISION 01/13/21	DRAWN BY JMR	DATE 10/18/19			EXTRUSION NO. REV.